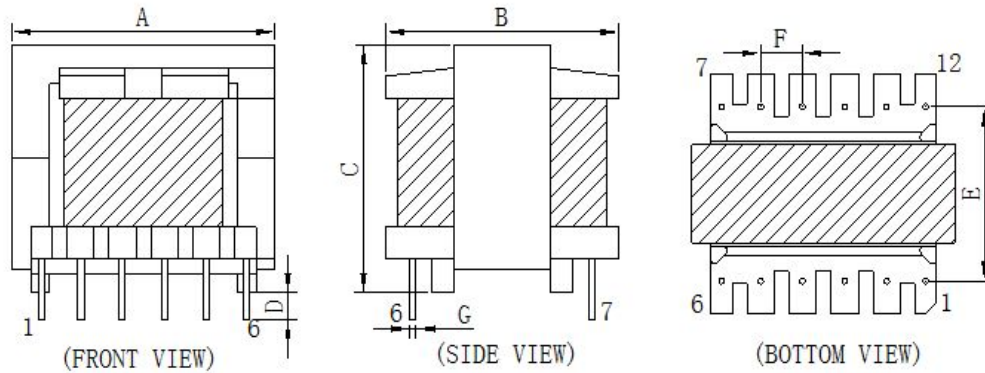


CUSTOMER TERMINAL	ROHS	Lead(Pb)-free
	YES	YES

## 1. Mechanical Dimensions

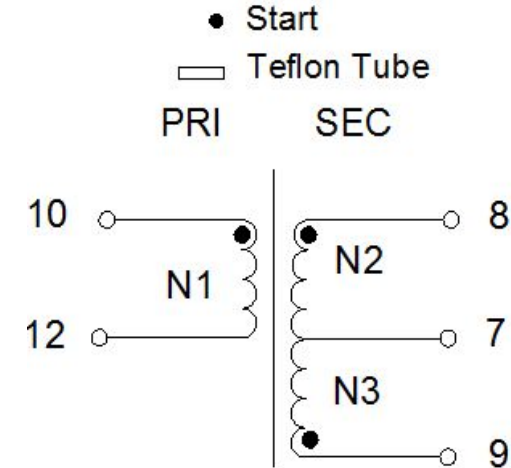


A	35	MAX
B	31	MAX
C	32	MAX
D	3.5	±0.5
E	22.5	±0.5
F	5	±0.3
G	0.8	±0.1

## 3. Material List

Core:FW40 EE33  
 Bobbin:FWB3303(6+6PIN)  
 Wire:2UEW LITZ  
 Operating Temperature: -30 to115 °C

## 2. Schematic Diagram



## 4. Electrical Specification

Inductance :  $L(10-12):170\mu H \pm 5\%$  100KHZ , 1.0V  
 DCR :  $(12-10)=0.16\Omega$  MAX  $(8-7)=0.42\Omega$  MAX  
 Hi-Pot:P-S: AC 60Hz 1500V 2mA 3S  
 COIL-CORE: AC 60Hz 1500V 2mA 3S

REV.	DATE	 Convention Placement	DRW.	Drawing Title:	Part No:		
0	00/00		CHK.			<b>TRANSFORMER</b>	FWPTEI33V171J
			APP.			Customer P/N	Specification Sheet 1of 1
<b>ROHS</b>		<a href="http://www.ferriwo.com">www.ferriwo.com</a>					